

Surface Mount Sliding Contact Micro Switch



SPVQC Series

Two-pole simultaneous changeover switch for stable contact independent of control position and speed



Features

- Synchronized switching between the two internal circuits helps maintain redundancy of the equipment's circuits
- Snap action and double-sided sliding contact structure enable stable contact at any control position and high reliability with particulate and impact resistance
- Surface mount type able to undergo reflow soldering with surrounding components

Applications

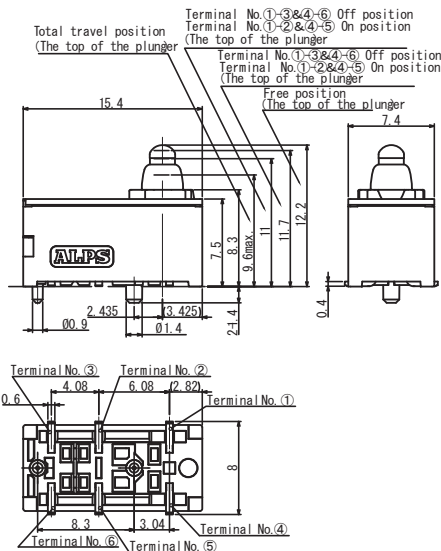
- Automotive control switches, such as for electric parking brakes
- Emergency buttons and industrial equipment safety mechanisms
- Mechanism operation detection in automotive equipment and home appliances

Typical Specifications

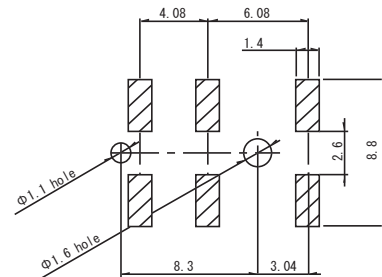
Max./Min. rating (resistive load)		50mA 18V DC / 50μA 5V DC
Contact resistance (initial/after lifetime)		75mΩ max. / 200Ω max.
Operating force		1 ±0.5N
Operating life	Without load	300,000 cycles
	With load	300,000 cycles (50mA 18V DC)
Two-pole synchronization timing		15ms max.

Dimensions

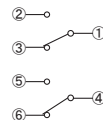
Unit:mm



PC board mounting hole and land dimensions



Circuit Diagram



Precautions when handling our products

1. For the export of products which are controlled items subject to foreign and domestic export laws and regulations, you must obtain approval and/or follow the formalities of such laws and regulations.
2. Products must not be used for military and/or antisocial purposes such as terrorism, and shall not be supplied to any party intending to use the products for such purposes.
3. Unless provided for otherwise, the products have been designed and manufactured for application in equipment and devices which are sold to end users in the market, including audio-visual (AV) equipment, electrical home appliances, office machines, information and communication equipment, and amusement equipment. The products are not intended for use in, and must not be used for, any application for nuclear equipment, driving equipment for aerospace or any other unauthorized use.
With the exception of the abovementioned prohibited applications, please contact an Alps sales representative and/or evaluate the total system regarding applicability for applications involving high levels of safety and liability such as medical equipment, burglar alarm equipment, disaster prevention equipment and undersea equipment. Please also incorporate fail-safe design, protection and redundant circuitry, malfunction protection, and/or fire protection into the complete system to ensure safety and reliability of the total system.
4. Before using products which were not specifically designed for use in automotive applications, please contact an Alps sales representative.

Cautions for using this catalog

1. The specifications herein are an overview of the specifications. Obtain official specifications before use.
2. The colors of the products in the catalog may slightly differ from those of the actual products.
3. The external appearance, functions and other specifications herein may be discontinued without prior notice.
4. All product names, company names and names of standards described in this catalog are trademarks or registered trademarks of their respective owners.
5. The contents of this catalog are according to Alps Electric as of June 2013.
6. This catalog is valid until December 31, 2013.

Inquiries about this product

Product Information Center
 +81 (3) 5499-8154
 Product Information URL
<http://www.alps.com/products/e/>

ALPS ELECTRIC CO., LTD.
 1-7, Yukigaya-otsukamachi, Ota-ku, Tokyo, 145-8501, Japan