

Compatible with 10mA to 4.5A Water-proof Switch

NEW
2011

SDDH Series

IP68 water resistant, enabling submerged operation.



Features

- Compatible with broad rating range from weak to medium currents. (10mA to 4.5A)
- Snap action contact mechanism provides clear-cut clicking feel.
- Terminal tab (#187) pitch is 9.2mm, improving insulation.

Applications

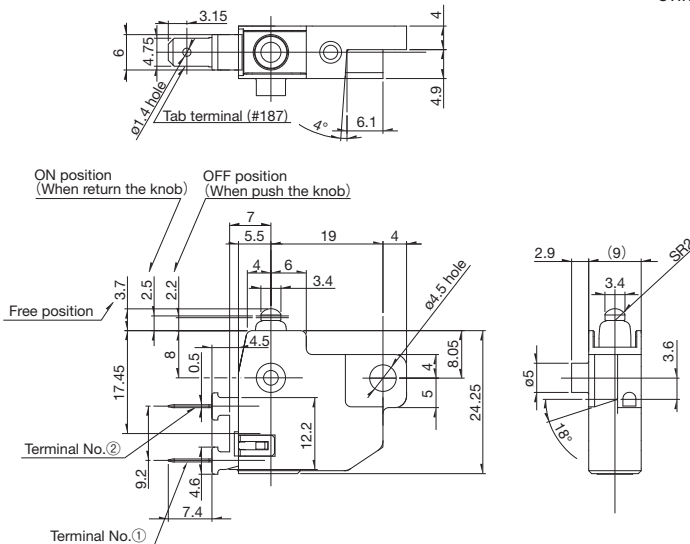
- Motorbike stop lamp on/off switching
- Power switching/detection applications in sports mobiles (e.g. buggies and personal watercraft), ship-related applications, or other applications requiring water resistance.
- Power switching/detection applications in agricultural, industrial or other equipment requiring high water resistance.

Typical Specifications

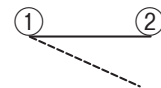
Items	Specifications
Dimensions (WxDxH)	28.5x 9.0 x 24.3mm
Rating max. (Lamp: 27W x 2pcs.)	12VDC 4.5A
Rating min. (Resistive load)	12VDC 10mA
Operating force	4.6N max.
Operating life	100,000cycles
Circuit configuration	SPST (Normally closed)
Water resistance standard	IP68

Dimensions

Unit: mm



Circuit Diagram



Normally Closed

Precautions when handling our products

1. For the export of products which are controlled items subject to foreign and domestic export laws and regulations, you must obtain approval and/or follow the formalities of such laws and regulations.
2. Products must not be used for military and/or antisocial purposes such as terrorism, and shall not be supplied to any party intending to use the products for such purposes.
3. Unless provided otherwise, the products have been designed and manufactured for application in equipment and devices which are sold to end-users in the market, such as AV (audio visual) equipment, home electronic equipment, office and commercial electronic equipment, information and communication equipment or amusement equipment. The products are not intended for use in, and must not be used for, any application of nuclear equipment, driving control equipment for aerospace or any other unauthorized use. With the exception of the above mentioned banned applications, for applications involving high levels of safety and liability such as medical equipment, burglar alarm equipment, disaster prevention equipment and undersea equipment, please contact an Alps sales representative and/or evaluate the total system on the applicability. Also, implement a fail-safe design, protection circuit, redundant circuit, malfunction protection and/or fire protection into the complete system for safety and reliability of the total system.
4. Before using products which were not specifically designed for use in automotive applications, please contact an Alps sales representative.

Cautions for using this catalog

1. The specifications herein are an overview of the specifications. Obtain official specifications before use.
2. The colors of the products in the catalog may slightly differ from those of the actual products.
3. The external appearance, functions and other specifications herein may be changed for improvement and other reasons without prior notice. Furthermore, the products herein may discontinue without prior notice.
4. All product names, company names and names of standards described in this catalog are trademarks or registered trademarks of their respective owners.
5. The contents of this catalog are according to Alps Electric as of July 2011.
6. This catalog is valid until the end of December 2011.

Inquiries about this product

Products Information Center
+81 (3) 5499-8154
Products Information Site
<http://www.alps.com/products/e/>

ALPS ELECTRIC CO., LTD.
1-7, Yuki-gaya-otsukamachi, Ota-ku, Tokyo, 145-8501, Japan