

50mm Ring Type Encoder

NEW
2013

EC50A Series

Ring encoder with large 37mm inside diameter allows installation of a small display



Features

- Large 37mm inside diameter allows installation of a switch, LEDs, small LCD or other display device inside the ring
- Guide formed on inner wall reduces operation shaft rattle
- Satisfying operating feel achieved using original mechanical design and precision processing technology

Applications

- Controls for car air conditioning and audio systems
- Integrated control of major home appliances or industrial equipment

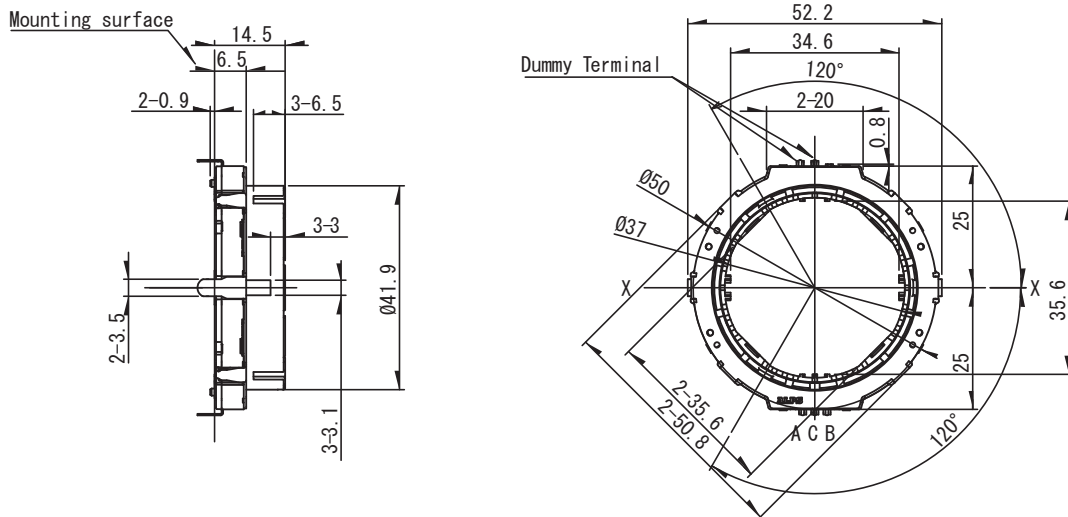
Typical Specifications

Dimensions (W×D×H)	50.8×50×14.5
Max. rating	1mA, 5V DC
No. of pulses/detents	9 / 18
Detent torque	40±20mN·m
Operating life	40,000 cycles

Dimensions

Unit:mm

Unit: mm



Precautions when handling our products

1. For the export of products which are controlled items subject to foreign and domestic export laws and regulations, you must obtain approval and/or follow the formalities of such laws and regulations.
2. Products must not be used for military and/or antisocial purposes such as terrorism, and shall not be supplied to any party intending to use the products for such purposes.
3. Unless provided for otherwise, the products have been designed and manufactured for application in equipment and devices which are sold to end users in the market, including audio-visual (AV) equipment, electrical home appliances, office machines, information and communication equipment, and amusement equipment. The products are not intended for use in, and must not be used for, any application for nuclear equipment, driving equipment for aerospace or any other unauthorized use.
With the exception of the abovementioned prohibited applications, please contact an Alps sales representative and/or evaluate the total system regarding applicability for applications involving high levels of safety and liability such as medical equipment, burglar alarm equipment, disaster prevention equipment and undersea equipment. Please also incorporate fail-safe design, protection and redundant circuitry, malfunction protection, and/or fire protection into the complete system to ensure safety and reliability of the total system.
4. Before using products which were not specifically designed for use in automotive applications, please contact an Alps sales representative.

Cautions for using this catalog

1. The specifications herein are an overview of the specifications. Obtain official specifications before use.
2. The colors of the products in the catalog may slightly differ from those of the actual products.
3. The external appearance, functions and other specifications herein may be discontinued without prior notice.
4. All product names, company names and names of standards described in this catalog are trademarks or registered trademarks of their respective owners.
5. The contents of this catalog are according to Alps Electric as of June 2013.
6. This catalog is valid until December 31, 2013.

Inquiries about this product

Product Information Center
+81 (3) 5499-8154
Product Information URL
<http://www.alps.com/products/e/>

ALPS ELECTRIC CO., LTD.
1-7, Yukigaya-otsukamachi, Ota-ku, Tokyo, 145-8501, Japan