

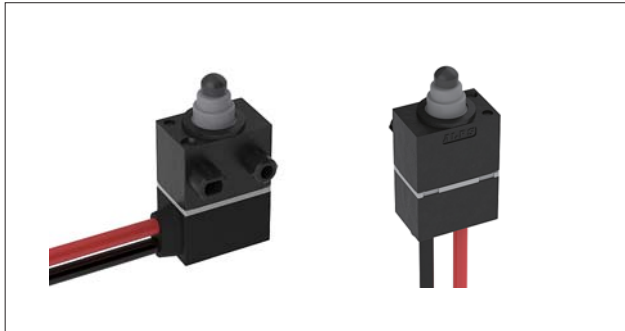
Compact Waterproof Detector Switch with Wire

NEW
2013

SPVQ8 Series

Switch with wires added to the industry's smallest* waterproof detector switch series

※Alps Electric research as of May 2013



Features

- Available in 2 types, with horizontal or vertical wire, to match the direction of installation.
- IP67 dust and water resistance, including for the wire section.
- Use of double-sided sliding contact ensures high contact reliability in shock or vibration environments.
- Supports up to 40-degree diagonal pushing.

Applications

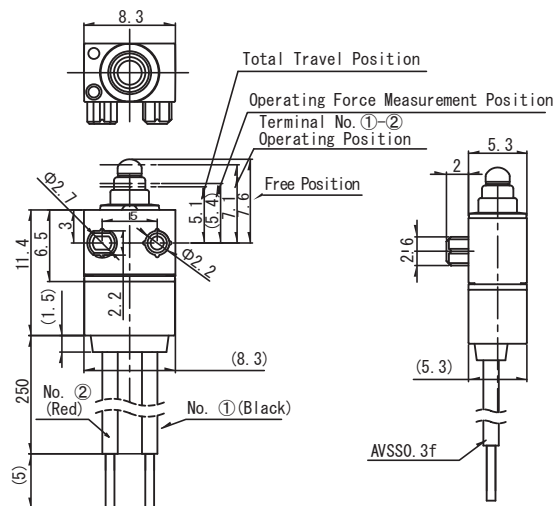
- Detection of opening/closing or position for automotive parts (e.g. sliding doors, back doors, trunk, hood)
- Detection applications for white goods or industrial equipment used around water

Typical Specifications

Max./Min. rating (resistive load)		0.1A 12V DC / 50 μ A 5V DC
Contact resistance (initial/after lifetime)		500m Ω max. / 1 Ω max.
Operating force		1 \pm 0.5N
Operating life	Without load	300,000 cycles (Standard type) / 1,000,000 cycles (Long-life type)
	With load	300,000 cycles (Standard type) / 1,000,000 cycles (Long-life type)

Dimensions

Unit: mm



Precautions when handling our products

1. For the export of products which are controlled items subject to foreign and domestic export laws and regulations, you must obtain approval and/or follow the formalities of such laws and regulations.
2. Products must not be used for military and/or antisocial purposes such as terrorism, and shall not be supplied to any party intending to use the products for such purposes.
3. Unless provided for otherwise, the products have been designed and manufactured for application in equipment and devices which are sold to end users in the market, including audio-visual (AV) equipment, electrical home appliances, office machines, information and communication equipment, and amusement equipment. The products are not intended for use in, and must not be used for, any application for nuclear equipment, driving equipment for aerospace or any other unauthorized use.
With the exception of the abovementioned prohibited applications, please contact an Alps sales representative and/or evaluate the total system regarding applicability for applications involving high levels of safety and liability such as medical equipment, burglar alarm equipment, disaster prevention equipment and undersea equipment. Please also incorporate fail-safe design, protection and redundant circuitry, malfunction protection, and/or fire protection into the complete system to ensure safety and reliability of the total system.
4. Before using products which were not specifically designed for use in automotive applications, please contact an Alps sales representative.

Cautions for using this catalog

1. The specifications herein are an overview of the specifications. Obtain official specifications before use.
2. The colors of the products in the catalog may slightly differ from those of the actual products.
3. The external appearance, functions and other specifications herein may be discontinued without prior notice.
4. All product names, company names and names of standards described in this catalog are trademarks or registered trademarks of their respective owners.
5. The contents of this catalog are according to Alps Electric as of May 2013.
6. This catalog is valid until December 31, 2013.

Inquiries about this product

Product Information Center
+81 (3) 5499-8154
Product Information URL
<http://www.alps.com/products/e/>

ALPS ELECTRIC CO., LTD.
1-7, Yukigaya-otsukamachi, Ota-ku, Tokyo, 145-8501, Japan